



3600-00

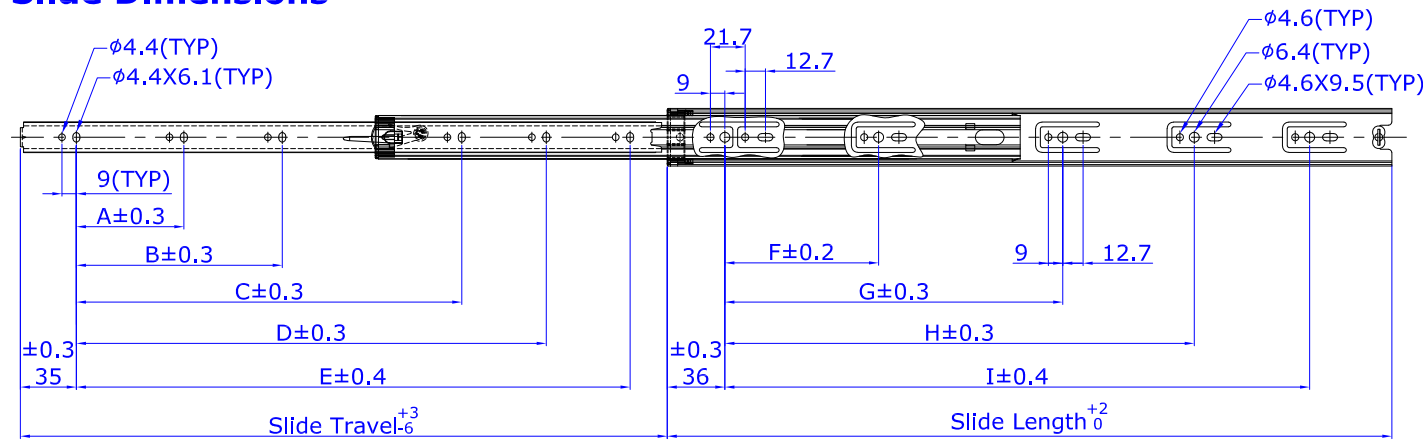


PRECISION BALL BEARING DRAWER SLIDE

Mounting	Side	<p>Profile</p>
Slide Clearance	12.7mm +0.8/0	
Height	36mm	
Material	Steel	
Load Rating	35kg at 18" (450mm)	
Size	6" to 28" (150mm to 700mm)	
Travel	Full Extension	
Disconnect	Lever	
Finish	Electro-Zinc plated with clear, yellow or black chromate	

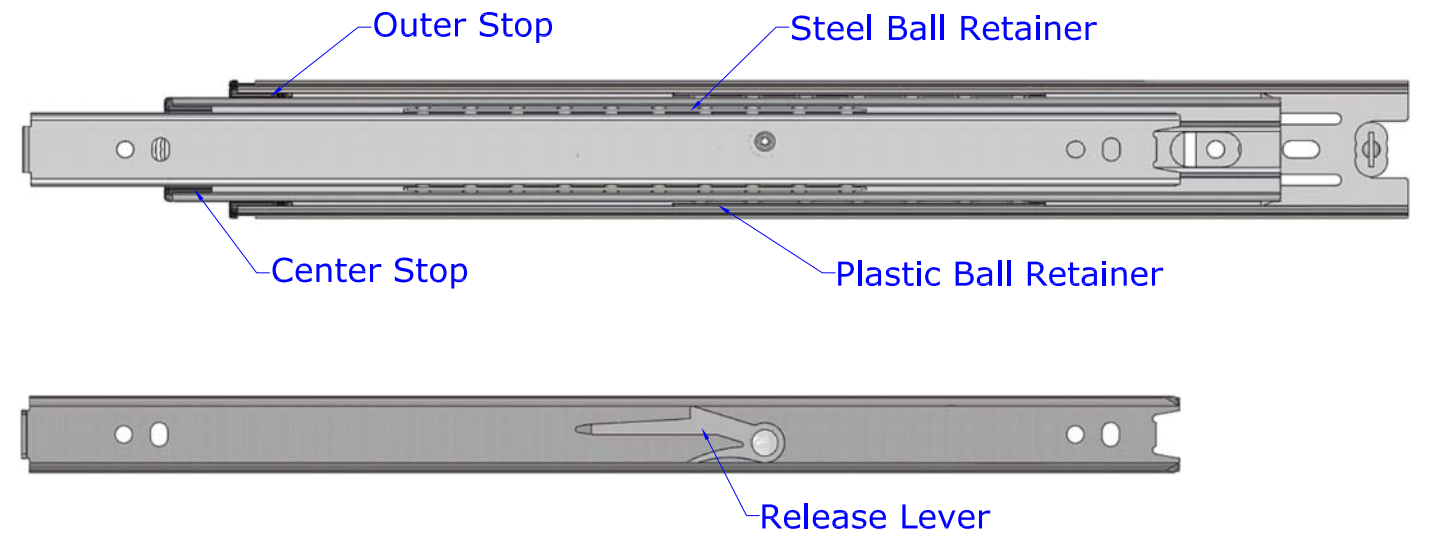
All Dimensions are in Millimeters (mm)

Slide Dimensions



mm

SIZE	Slide Length	Slide Travel	Load Rating/Kg	A	B	C	D	E	F	G	H	I
6" (150)	150	150	10	92					72			
8" (200)	200	200	15	142					106			
10" (250)	250	250	20	192					128	224		
12" (300)	300	300	25	242					128	224		
14" (350)	350	350	28	128	292				128	224		
16" (400)	400	400	30	128	256	342			128	224	320	
18" (450)	450	450	35	128	288	392			128	224	352	
20" (500)	500	500	33	128	192	352	442		128	224	416	
22" (550)	550	550	30	128	224	384	492		128	224	352	448
24" (600)	600	600	28	128	224	416	542		128	224	352	480
26" (650)	650	650	28	128	224	416	512	592	128	224	384	544
28" (700)	700	700	28	128	224	416	544	642	128	224	384	544



Drawer Slide Mounting Profile



APPLICATIONS:

For use in wood pedestals, dresser, desk, casework, residential and kitchen cabinetry.

