



3660-00

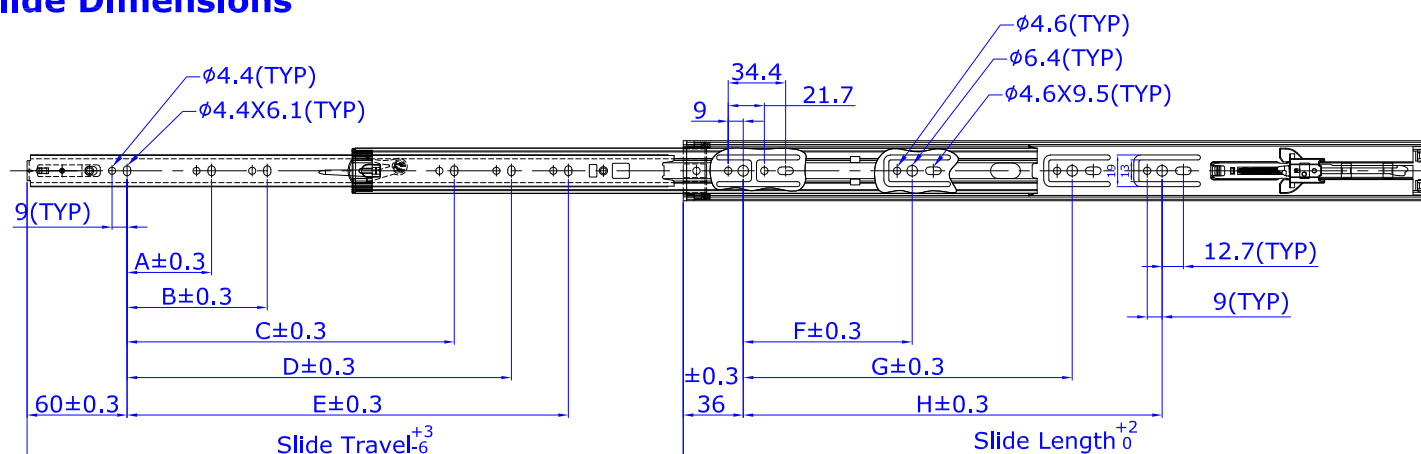


PUSH-OPEN DRAWER SLIDE

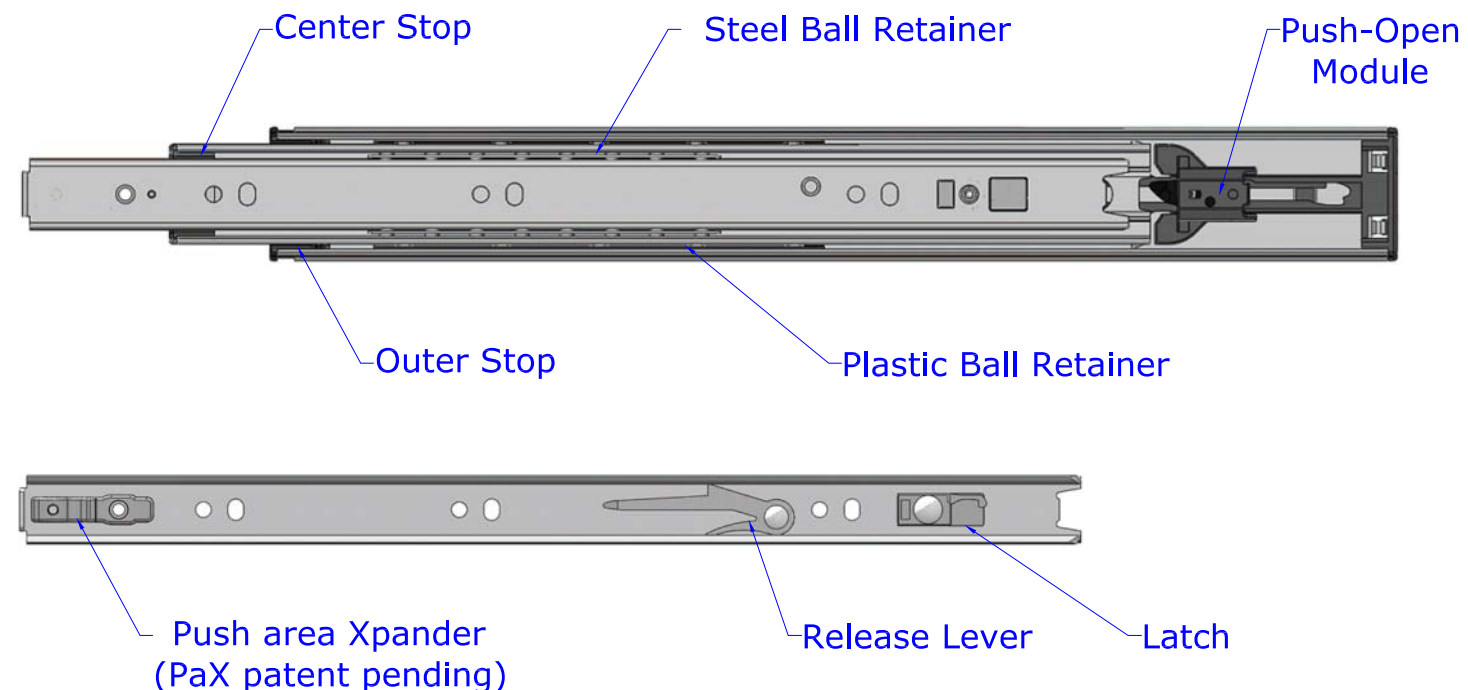
Mounting	Side	
Side Clearance	12.7mm +0.8/0	
Height	36mm	
Material	Steel	
Load Rating	30 kg at 18" (450mm)	
Size	10" to 24" (250mm to 600mm)	
Disconnect	Lever	
Finish	Electro-Zinc plated with clear, yellow or black chromate	

All Dimensions are in Millimeters (mm)

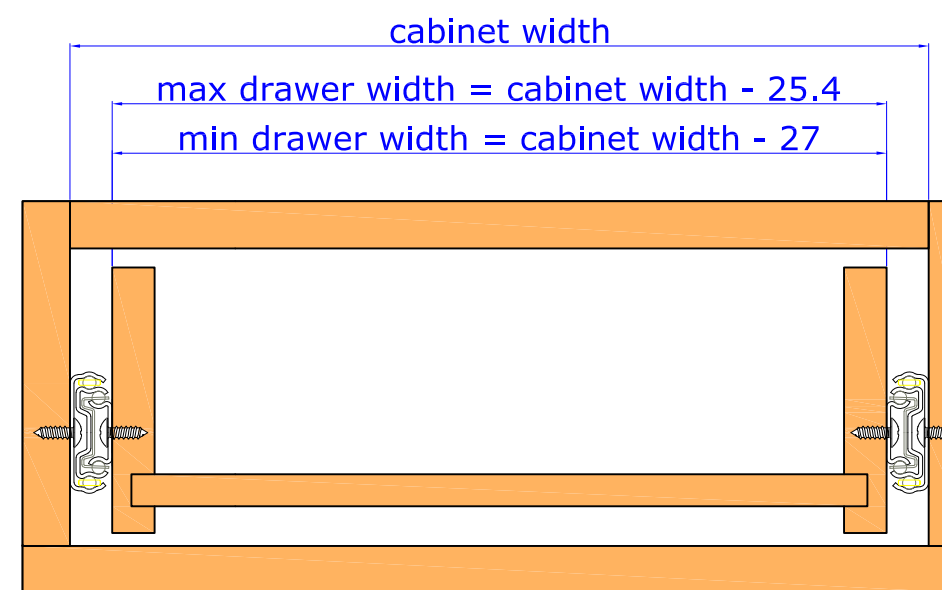
Slide Dimensions



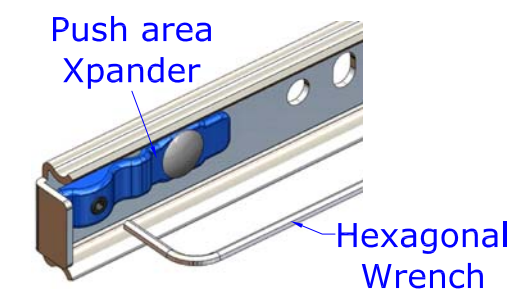
SIZE	Slide Length	Slide Travel	Load Rating/Kg	A	B	C	D	E	F	G	H
10" (250)	250	250	15	121					96		
12" (300)	300	300	18	71	171				128		
14" (350)	350	350	20	103	221				128	192	
16" (400)	400	400	25	103	231	271			128	208	
18" (450)	450	450	30	103	263	321			128	256	
20" (500)	500	500	25	103	167	295	371		128	224	304
22" (550)	550	550	25	103	199	327	421		128	224	354
24" (600)	600	600	25	103	199	327	391	471	128	256	384



Drawer Slide Mounting Profile



* max drawer width = slide length + 200 (mm)



Designed to increase the touch to open area. Fine tune (tighten or loosen) the PaX with hexagonal wrench for better surface contact, especially for wider drawers.



APPLICATIONS:

For use in wood pedestals, dresser, desk, casework, residential and kitchen cabinetry.

