

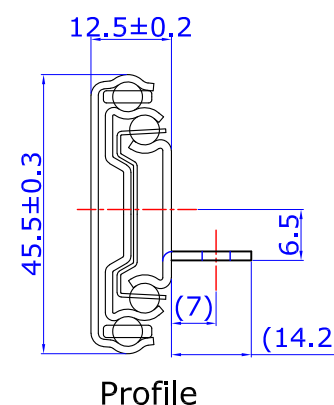


4271-00



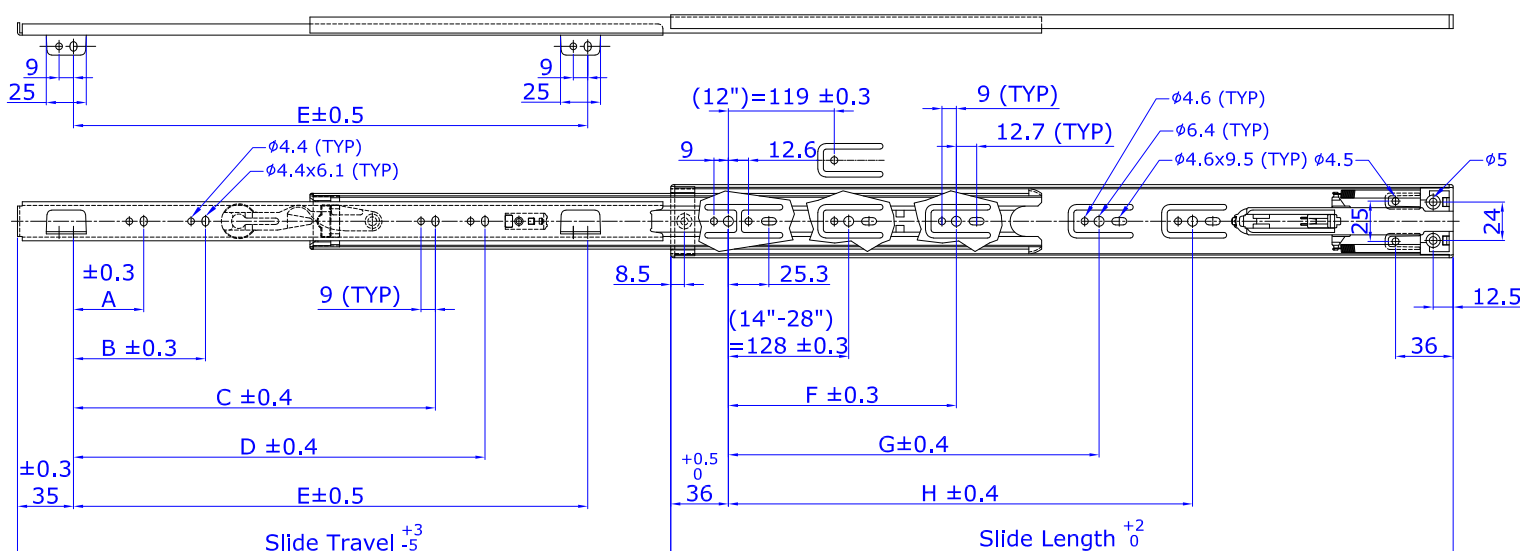
SOFT-CLOSE DRAWER SLIDE

Mounting	Side and bottom
Side Clearance	12.7mm +0.8/0
Height	45.5mm
Soft-Closing Stroke	38mm
Material	Steel
Load Rating	40kg at 22" (550mm)
Size	12" to 28" (300mm to 700mm)
Travel	Full Extension (Sizes 16" to 28")
Disconnect	Lever (Non-handed design)
Finish	Electro-Zinc plated with clear, yellow or black chromate



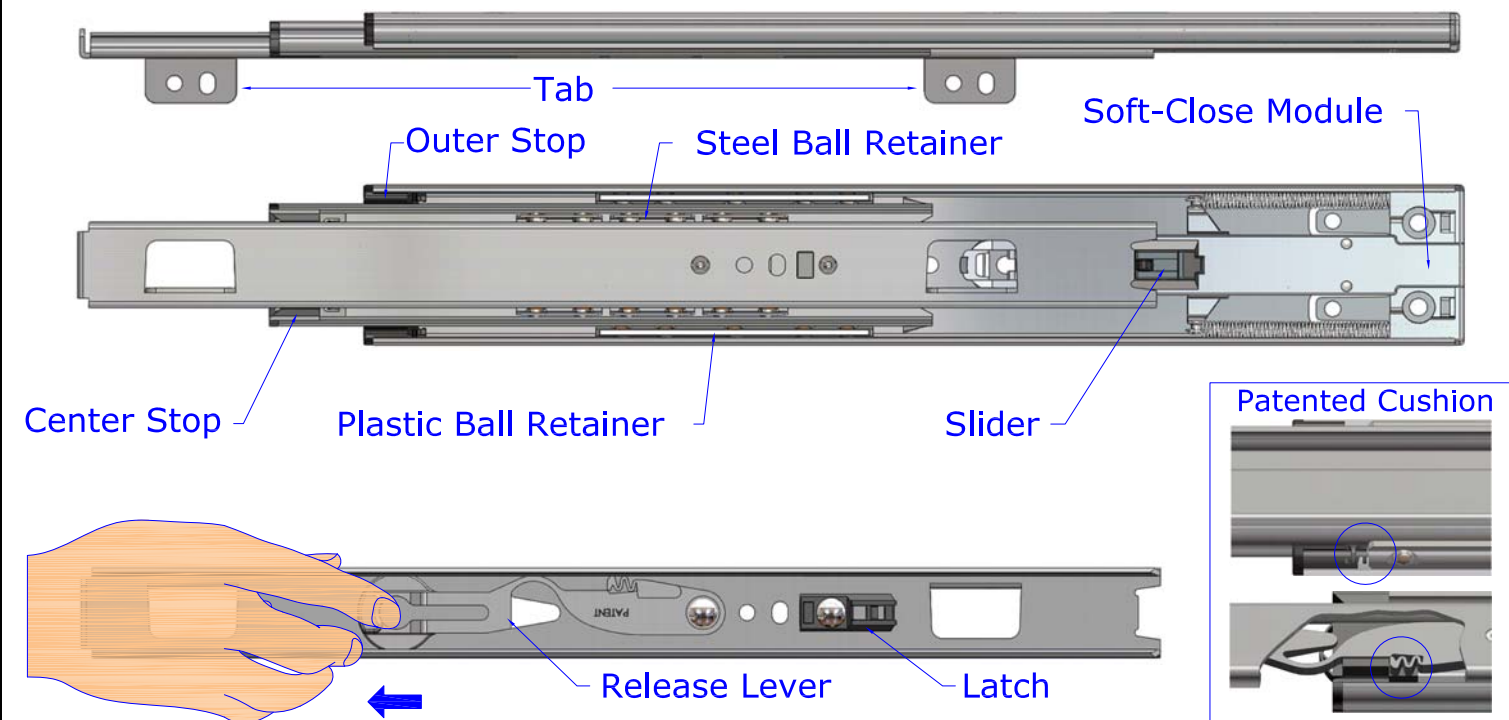
All Dimensions are in Millimeters (mm)

Slide Dimensions

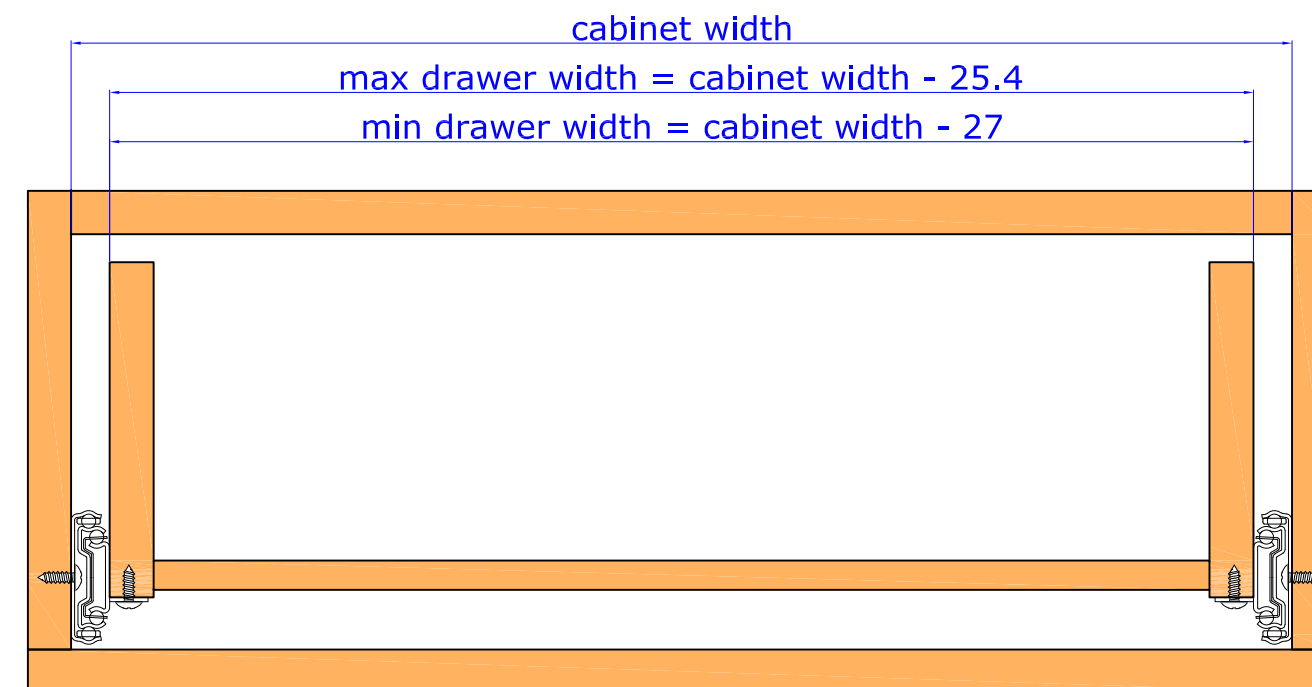


mm

SIZE	Slide Length	Slide Travel	Load Rating/Kg	A	B	C	D	E	F	G	H
12" (300)	300	213	15				156	214			
14" (350)	350	303	20				200	264			
16" (400)	400	404	25	96			256	314	208		
18" (450)	450	455	30	128			294	364	256		
20" (500)	500	505	35	96	160		344	414	304		
22" (550)	550	555	40	96	160		394	464	224	352	
24" (600)	600	605	30	128	192		444	514	224	352	
26" (650)	650	655	30	128	224	416	494	564	224	352	448
28" (700)	700	705	30	128	224	480	544	614	224	352	496



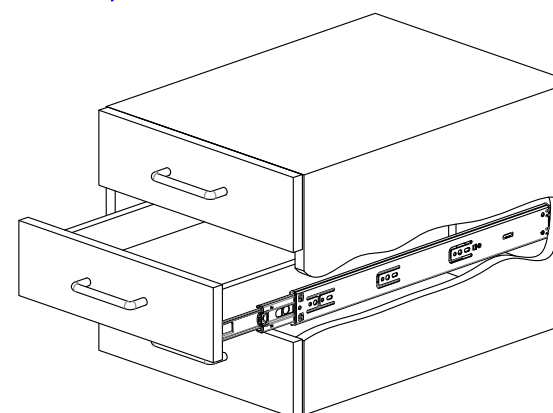
Drawer Slide Mounting Profile



* max drawer width = slide length + 200 (mm)

APPLICATIONS:

For use in wood pedestals, dresser, desk, casework, residential and kitchen cabinetry.



38mm stroke of Soft-Closing

