



S570-00

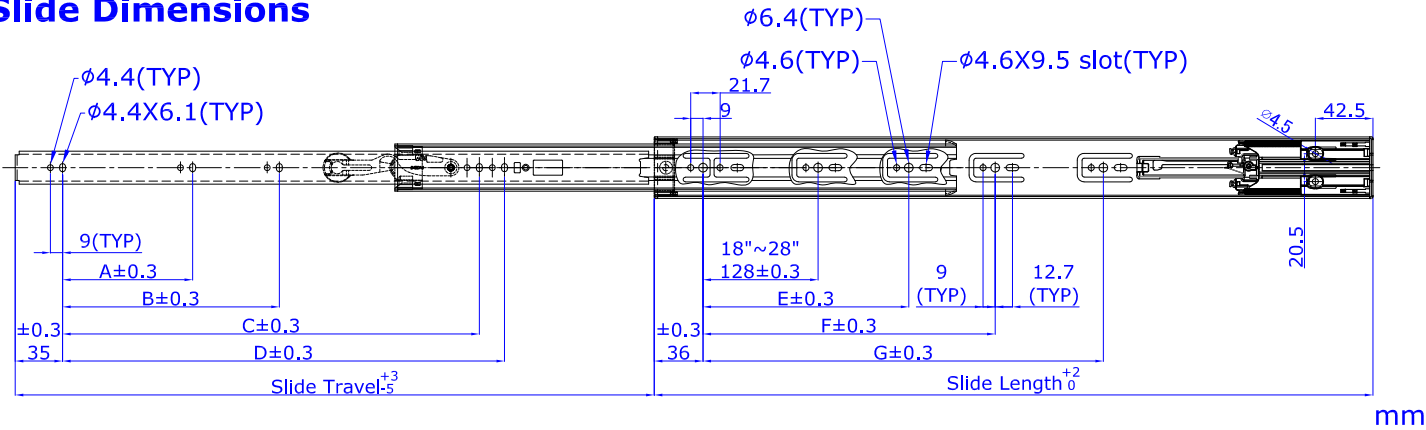


SOFT-CLOSE DRAWER SLIDE

Mounting	Side	<p>Profile</p>
Side Clearance	12.7mm +0.8/0	
Height	45.5mm	
Soft-Closing Stroke	16"-28"=55mm	
Material	Steel	
Load Rating	40kg at 22" (550mm)	
Size	16" to 28" (400mm to 700mm)	
Travel	Full Extension	
Disconnect	Lever (Non-handed design)	
Finish	Electro-Zinc plated with clear, yellow or black chromate	

All Dimensions are in Millimeters (mm)

Slide Dimensions

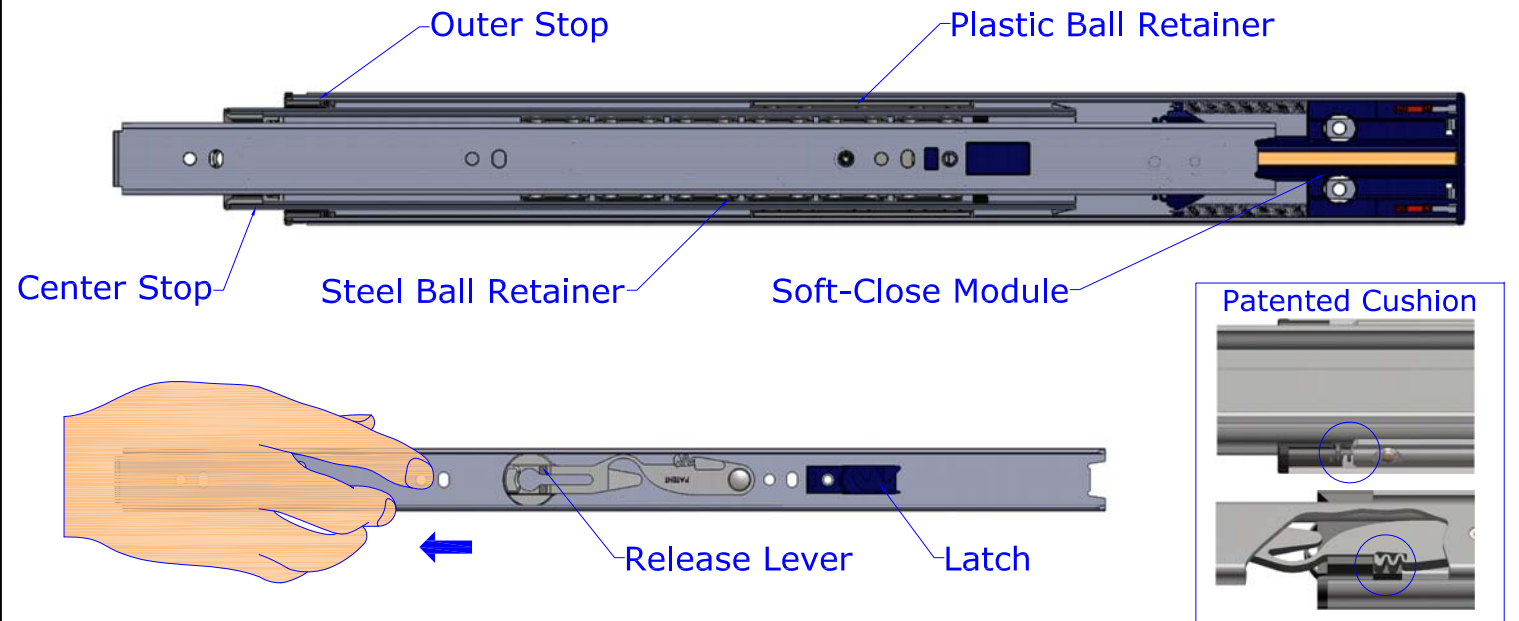
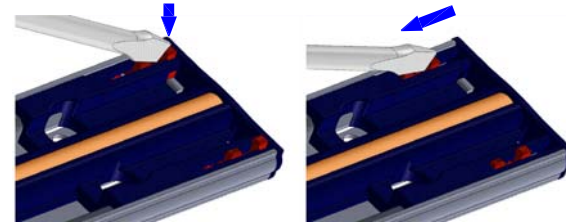


SIZE	Slide length	Slide Travel	Load Rating/Kg	A	B	C	D	E	F	G
16" (400)	400	400	15	96	235			166		
18" (450)	450	450	25	128	285			216		
20" (500)	500	502	35	96	160	335		266		
22" (550)	550	550	40	96	160	385		224	316	
24" (600)	600	600	30	128	192	435		224	366	
26" (650)	650	650	30	128	224	416	485	224	320	416
28" (700)	700	700	30	128	224	480	535	224	320	466

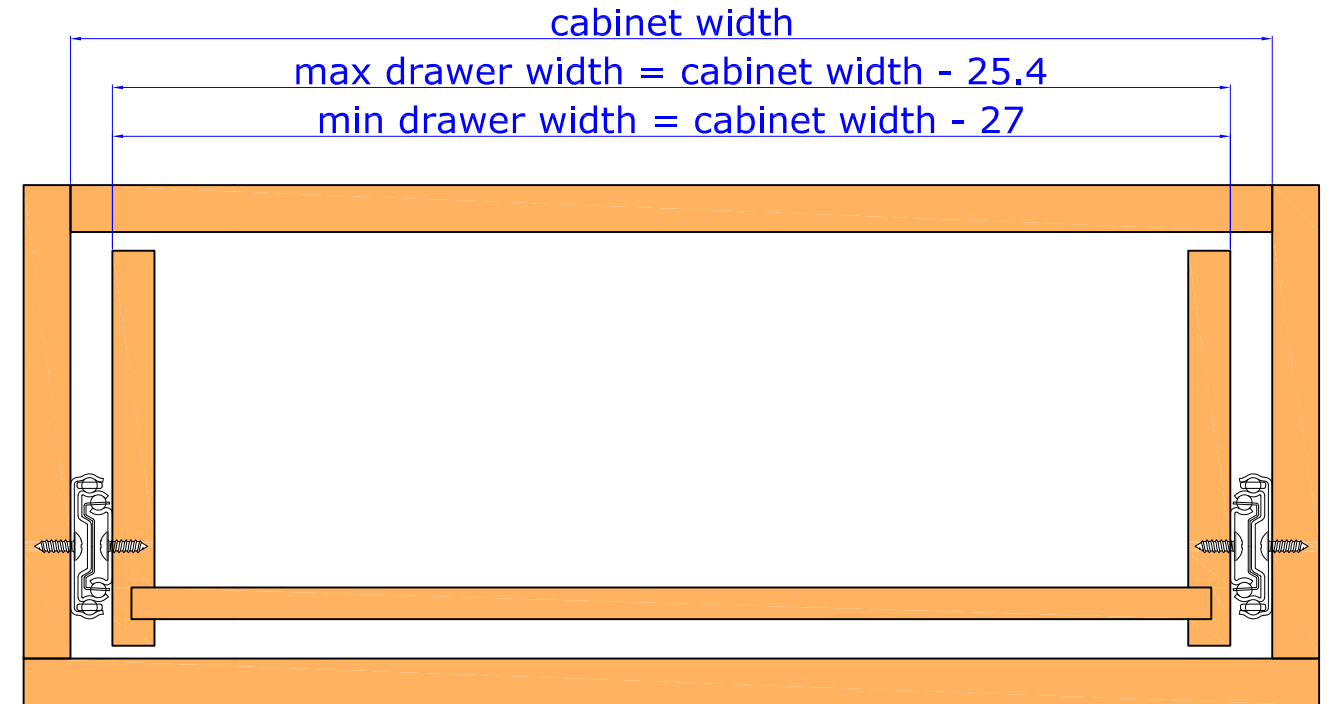
To increase the spring tension (more closing force)
Use a slotted screwdriver to push adjustment pads (Δ) rearward as seen in the picture.



To decrease the tension (less closing force)
use a slotted screwdriver to push down on adjustment pads (RESET) and then pull forward as seen in picture.

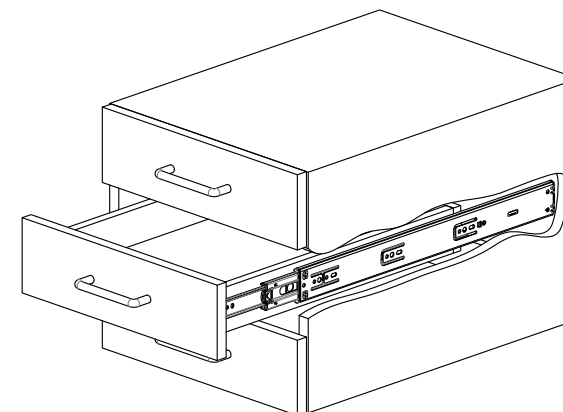


Drawer Slide Mounting Profile

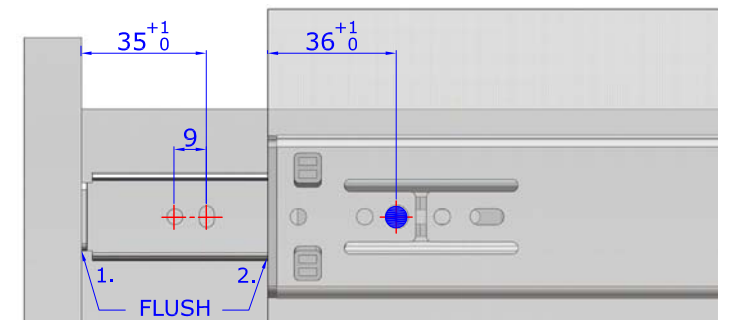


APPLICATIONS:

For use in wood pedestals, dresser, desk, casework, residential and kitchen cabinetry.



16"-28" 55mm stroke of Soft-Closing



1. Flush the inner member with the inside of the panel.
 2. Flush the outer member with the front of the cabinet.
- * Setback more than 1mm with inner member or outer member may cause damage to the soft close module when closing.